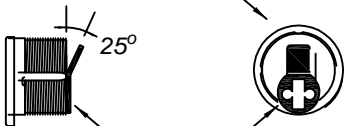


# DYNAFLAIR

## SLIDING CLOSURE (#3) INTERMEDIATE LOCKING POST with CYLINDER

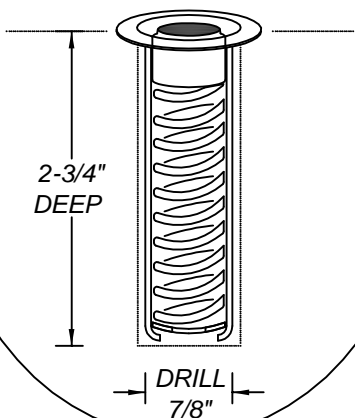
### LOCK CYLINDER REQUIREMENT

STANDARD 5, 6 OR 7 PIN  
MORTISE CYLINDER



"YALE" TYPE CAM  
ANGLED APPROX.  
25° (AS SHOWN)

### FLOOR SOCKET INSTALLATION



[LOCKED]

SLIDE KNOB  
DOWN TO ENGAGE  
BOTTOM  
LOCK BOLT  
(NO KEY REQ'D.)

[UNLOCKED]

TURNING KEY  
UNLATCHES  
AUTO-RETRACTING  
BOTTOM LOCK BOLT

DUST FREE  
FLOOR SOCKET

