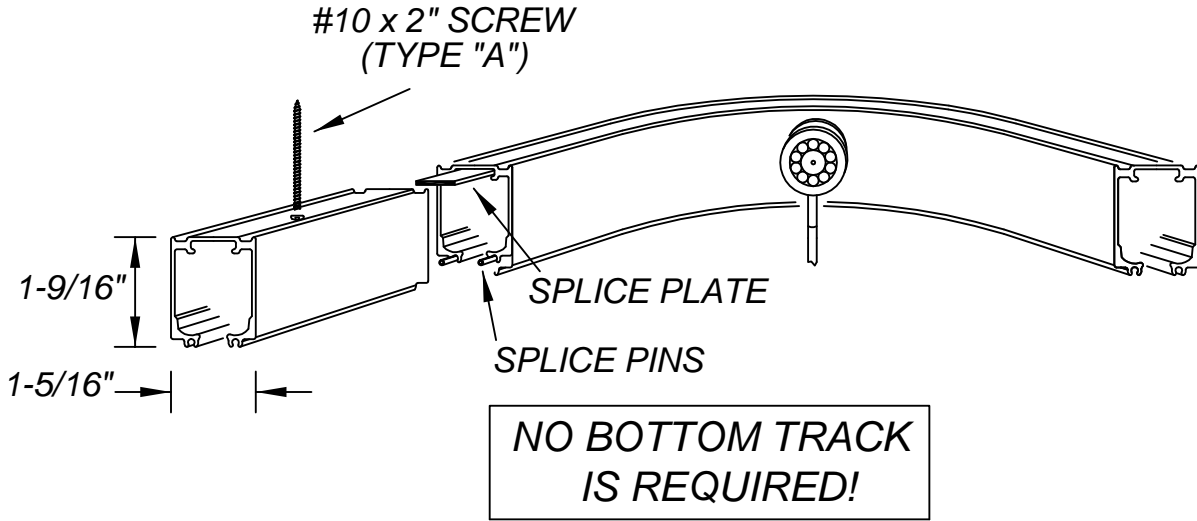
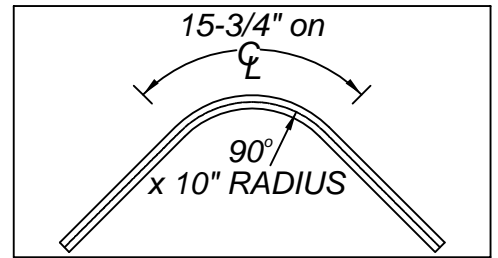
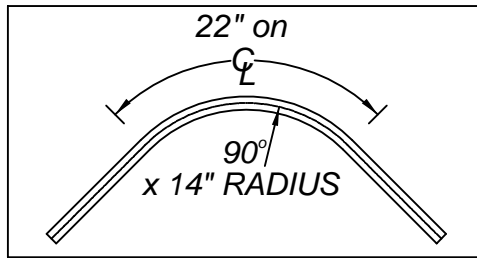
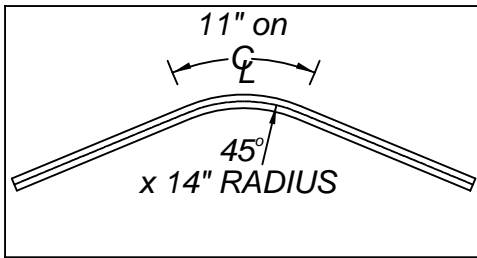


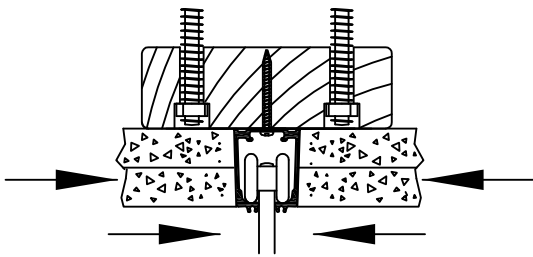
# TOP TRACK ASSEMBLY



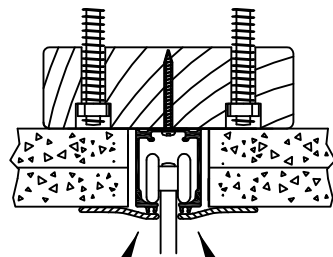
## STANDARD TRACK CURVES



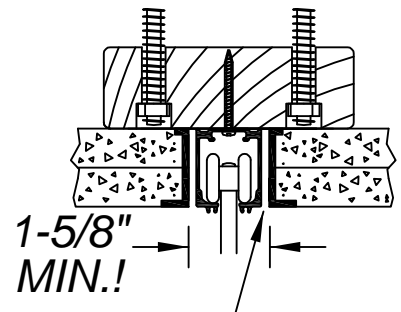
## TRACK RECESSING REQUIREMENTS (TRACK MUST BE REMOVEABLE!)



**PLEASE DO NOT PINCH TRACK BETWEEN DRYWALL SHEETS**



**PLEASE DO NOT TAPE OR MUD OVER TRACK**



**PLEASE USE DRYWALL "J" MOULDING**